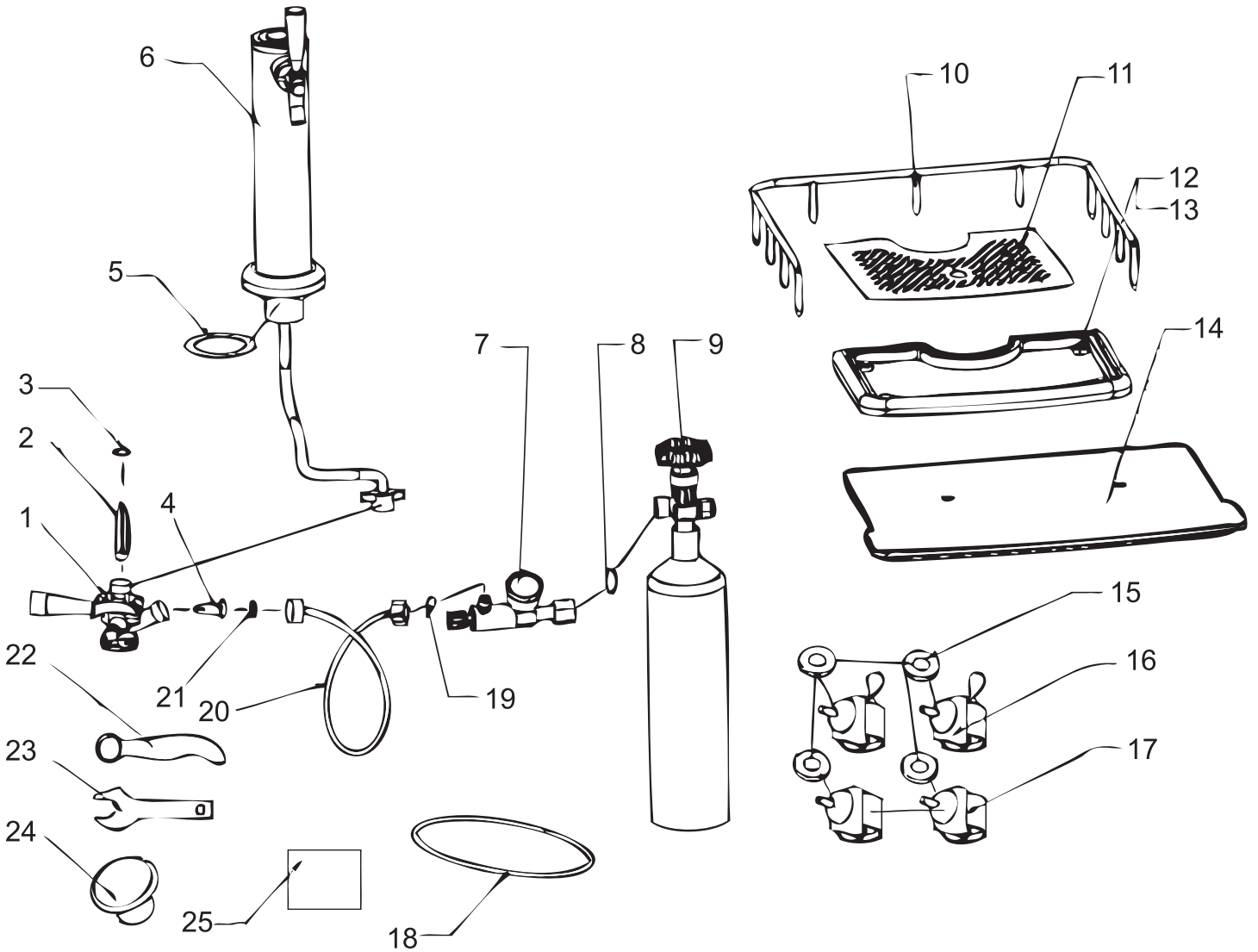


Parts Breakdown

Model BC-CN-0170-C 23829



Parts Breakdown

Model BC-CN-0170-C 23829

Item No.	Description	Position	Item No.	Description	Position	Item No.	Description	Position
27113	Keg Coupler (Spigot Valve Assembly) for 23829	1	27122	Guard Rail for 23829	10	27131	Air Hose Wing Nut Washer for 23829	19
27114	Back Flow Stopper for 23829	2	27123	Stainless Drip Pan Top for 23829	11	27132	Air Hose for 23829	20
27115	Rubber Washer for 23829	3	27124	Drip Pan for 23829	12	27133	Air Hose Connector Washer for 23829	21
27116	CO ² Rubber Directional Washer for 23829	4	27125	Rubber Foot for 23829	13	27134	Beer Tap Wrench for 23829	22
27117	Beer Tower Washer for 23829	5	27126	Keg Base Board for 23829	14	27135	Regulator Wrench for 23829	23
27118	Beer Tower Tap/Beer Hose Assembly for 23829	6	27127	Metal Washer for 23829	15	27136	Beer Tower Hole Cover for 23829	24
27119	CO ² Regulator for 23829	7	27128	Keg Orator Casters Brake for 23829	16	27177	Miscellaneous Parts for 23829	25
27120	High Pressure Washer for 23829	8	27129	Keg Orator Casters for 23829	17			
31565	CO ² Empty Canister 2.5 lbs. for 23829	9	27130	CO ² Tank Strap for 23829	18			